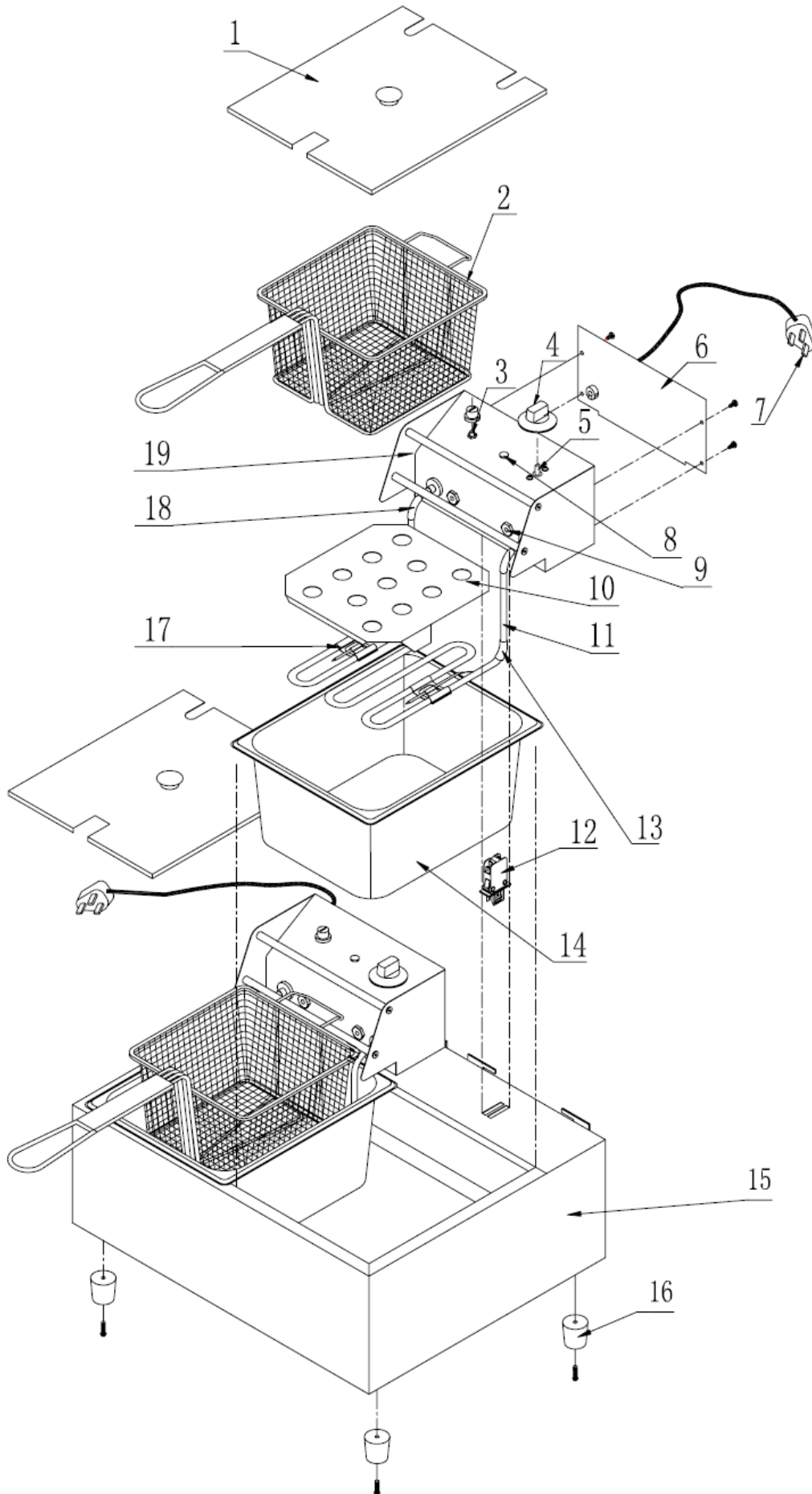




L495



Machine	Explode	Code	Description
L495 Buffalo Double Fryer - 2x5Ltr	1	N123	Cover
L495 Buffalo Double Fryer - 2x5Ltr	2		Basket
L495 Buffalo Double Fryer - 2x5Ltr	3	N117	225°C Thermal Cut Out
L495 Buffalo Double Fryer - 2x5Ltr	4	N124	Dial
L495 Buffalo Double Fryer - 2x5Ltr	5	N116	190°C Thermostat
L495 Buffalo Double Fryer - 2x5Ltr	6	N294	Back Plate
L495 Buffalo Double Fryer - 2x5Ltr	7	N150	Plug & Lead
L495 Buffalo Double Fryer - 2x5Ltr	8	N486	Indicator Light
L495 Buffalo Double Fryer - 2x5Ltr	9		Nut
L495 Buffalo Double Fryer - 2x5Ltr	10	N122	Element Cover
L495 Buffalo Double Fryer - 2x5Ltr	11	N119	Heating Element
L495 Buffalo Double Fryer - 2x5Ltr	12	N118	Safety Switch
L495 Buffalo Double Fryer - 2x5Ltr	13		Bulb Clamp 2
L495 Buffalo Double Fryer - 2x5Ltr	14	N120	Pan
L495 Buffalo Double Fryer - 2x5Ltr	15		Body
L495 Buffalo Double Fryer - 2x5Ltr	16	N152	Feet
L495 Buffalo Double Fryer - 2x5Ltr	17		Tube Clamp
L495 Buffalo Double Fryer - 2x5Ltr	18	N300	Bulb Clamp 1
L495 Buffalo Double Fryer - 2x5Ltr	19	N301	Control Box